



INSTALLATION INSTRUCTIONS

Accessory
ALL-SEASON FLOOR MATS

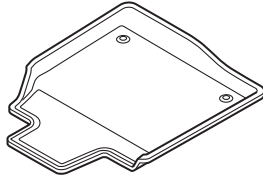
Application
2012 MDX

Publications No.
BII 46605
Issue Date
OCT 2011

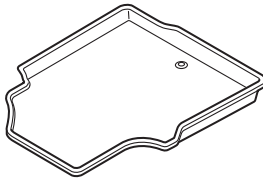
Put this information in the glove box with the vehicle owner's manual.

PARTS LIST

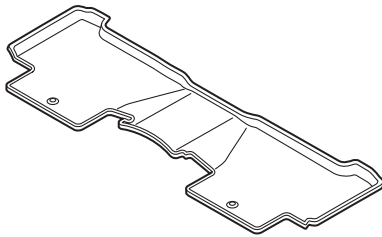
Driver's side all-season floor mat



Passenger's side all-season floor mat



Rear all-season floor mat



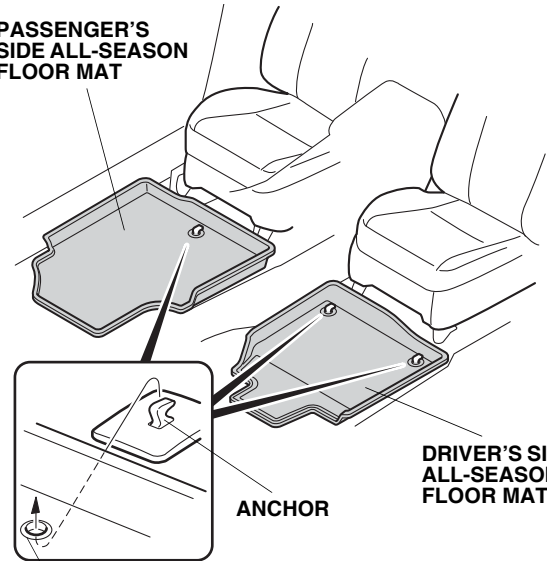
INSTALLATION

NOTE:

- Before installing the mats, identify their installation positions.
- The anchors prevent the mat from sliding forward and possibly interfering with the pedals.
- If you remove the mat, make sure you reanchor it when you put it back in your vehicle.
- If you replace the mats, use factory mats designed to be used with the anchors.
- If you use a non-factory mat in the driver's footwell, make sure it fits properly and that it can be used with the anchor.
- Do not put any additional mats on top of the anchored mat. An additional mat may slide forward and possibly interfere with the pedals.
- Identify each mat by the marks on the back: the mat marked "R" goes on the right side of the vehicle; the mat marked "L" goes on the left side.

1. Install the driver's side all-season floor mat by placing the two rings in the driver's side all-season floor mat over the two anchors on the floor carpet.

PASSENGER'S SIDE ALL-SEASON FLOOR MAT



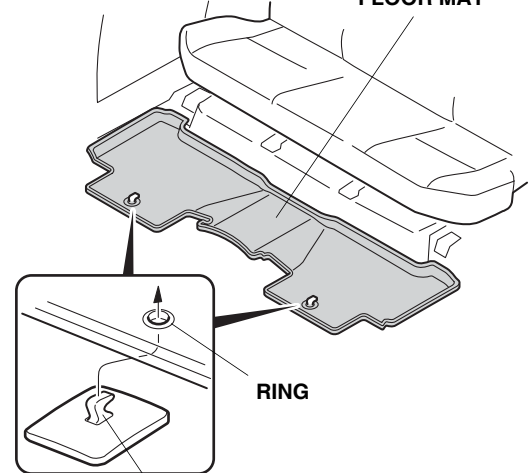
DRIVER'S SIDE ALL-SEASON FLOOR MAT

ANCHOR

RING

2. Install the passenger's side all-season floor mat by placing the ring in the passenger's side all-season floor mat over one anchor on the floor carpet.
3. Install the rear all-season floor mat by placing the two rings in the rear all-season floor mat over the two anchors on the floor carpet.

REAR ALL-SEASON FLOOR MAT



RING

ANCHOR